

SUMMER READING AND MATH ASSIGNMENTS for INCOMING SECOND GRADERS

Dear Parents,

Children entering second grade are required to complete a Diorama Book Report on a book of their choosing listed below. Directions are attached.

1. Henry and Mudge and the Starry Night
Written by Cynthia Rylant
2. Mr. Putter and Tabby Clear the Decks
Written by Cynthia Rylant
3. Nate the Great Goes Undercover
Written by Marjorie Weinman Sharmat
4. Any of the books that belong to the Magic Tree House series written by Mary Pope Osborne.

The book report is due on Wednesday, August 24, 2022, which is the first day of school.

Additionally, it is important that first grade students entering second grade, review and practice their math facts and skills over the summer. They should memorize their addition and subtraction facts up to 18. Timed tests on their math facts will begin the second week of school.

Lastly, Summer Solutions, in any subject area, will help keep your child's skills on track for the start of the new school year. We recommend that you order Grade 1, even though they are entering second grade. The website is listed below.

<https://www.summersolutions.net/subjects>

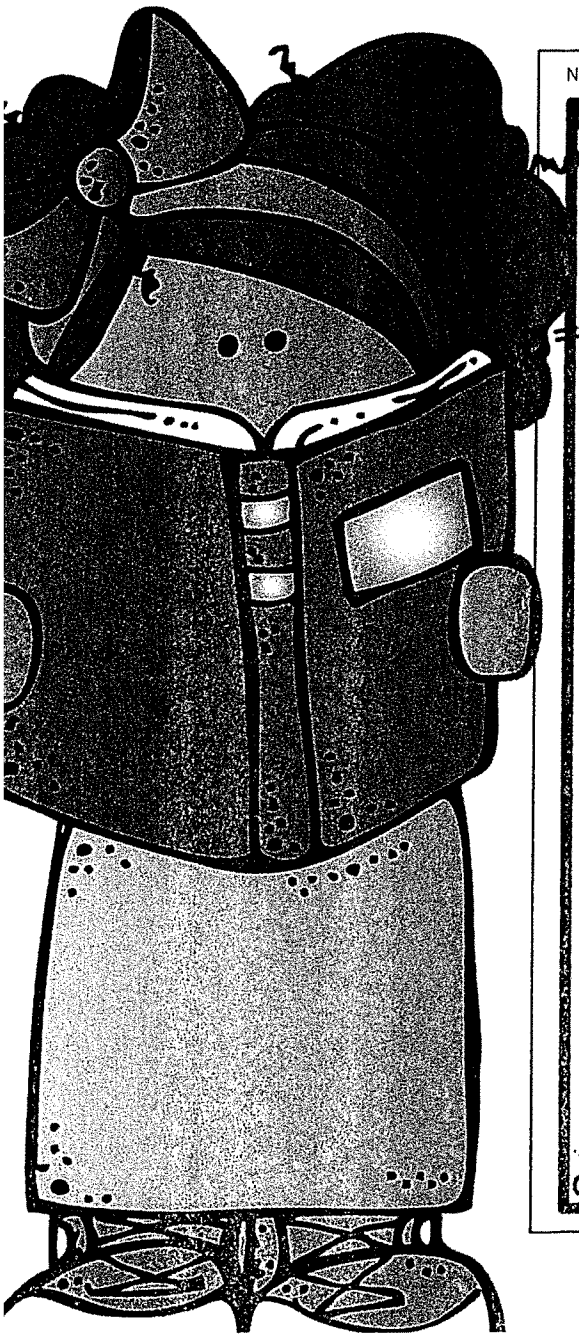
We look forward to seeing your children on August 24!

Sincerely,

Mrs. DelBane and Mrs. Rolle

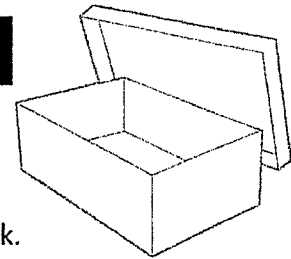
Mrs. DelBane and Mrs. Rolle

Diorama Book Report



Name: _____ Book: _____ Due Date: _____

Diorama Book Report



Your assignment is to design a shoe box diorama related to your book.

Inside box: The inside of your diorama must reflect an important scene from the book and the background must match the setting. Use materials from around your home to create a creative and well-organized scene.

Right Side: Include the title of the book, author's name, number of pages, and the number of stars you would give the book if you were a book critic. The maximum number is 5 stars.

Left Side: List the main characters and write 1-2 sentences about each. Also, describe the setting of the book in 3-4 sentences.

Back of Box: Write a one-paragraph summary that summarizes the plot of the book. Make sure it includes the main conflict and solution in the book. Also include 1-2 sentences describing the diorama scene inside the box.

Don't Forget!

Proofread carefully to avoid errors in grammar, spelling and/or punctuation. Your Diorama Book Report must be colorful and creatively designed. The diorama must be neatly assembled. All written portions need to be easy to read!

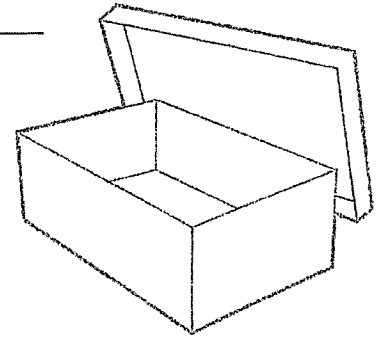
Copyright © 2016 Happy Teacher Happy Students



Student: _____ Name of Book: _____

Diorama Book Report

Grading Rubric



- ____/10 **Right Side:** Title, Author, # of Pages and Star Rating
- ____/10 **Left Side:** Main characters (1-2 sentences) and Setting (3-4 sentences)
- ____/10 **Back of Box:** One-paragraph book summary and description of diorama scene
- ____/20 **Inside:** Reflects an important scene from the book.
- ____/25 **Spelling/Grammar:** Student uses correct spelling, grammar & punctuation.
- ____/25 **Overall Creativity & Neatness:** Colorful & creatively designed.

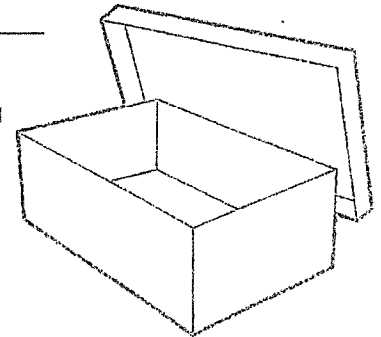
Written portions are easy to read.

Total Points: ____/100 = _____ %

Student: _____ Name of Book: _____

Diorama Book Report

Grading Rubric



- ____/10 **Right Side:** Title, Author, # of Pages and Star Rating
- ____/10 **Left Side:** Main characters (1-2 sentences) and Setting (3-4 sentences)
- ____/10 **Back of Box:** One-paragraph book summary and description of diorama scene
- ____/20 **Inside:** Reflects an important scene from the book.
- ____/25 **Spelling/Grammar:** Student uses correct spelling, grammar & punctuation.
- ____/25 **Overall Creativity & Neatness:** Colorful & creatively designed.

Written portions are easy to read.

Total Points: ____/100 = _____ %